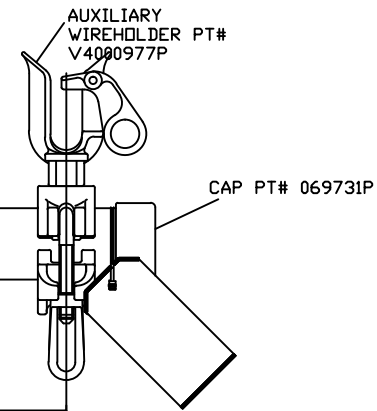
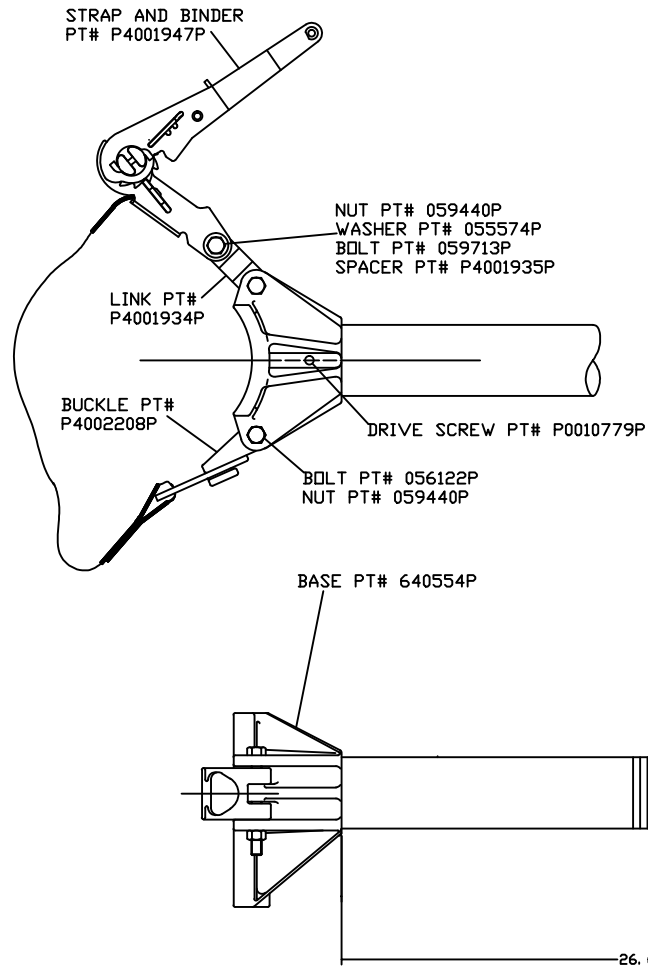


# TEMPORARY CONDUCTOR SUPPORT CAT NO. : T400-1940



CHANCE		HUBBELL POWER SYSTEMS	
CONFIDENTIAL: THIS DRAWING AND ITS CONTENTS ARE CONFIDENTIAL AND THE EXCLUSIVE PROPERTY OF HUBBELL POWER SYSTEMS. NO PUBLICATION, DISTRIBUTION OR COPIES MAY BE MADE WITHOUT THE WRITTEN CONSENT OF HUBBELL POWER SYSTEMS. HUBBELL POWER SYSTEMS UNPUBLISHED. ALL RIGHTS RESERVED UNDER THE COPYRIGHT LAWS.		TITLE SUPPORT, TANGENT CONDUCTOR TEMPORARY	
SIZE	DWG NO.	CAT / PART / ASSY NO.	REV
D	SA4001940	T400-1940	--
DO NOT SCALE THIS DRAWING	DRN BYND	DATE2-4-15	SHEET 1 OF 1