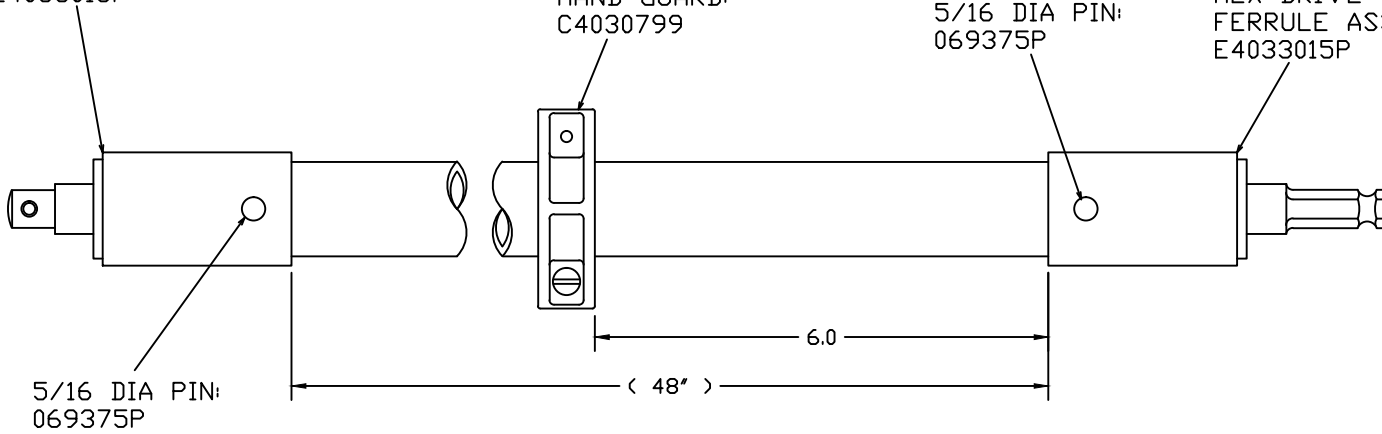


SQUARE DRIVE  
FERRULE ASSEMBLY:  
E4033016P


HAND GUARD:  
C4030799

5/16 DIA PIN:  
069375P

HEX DRIVE  
FERRULE ASSEMBLY:  
E4033015P



5/16 DIA PIN:  
069375P

<p>CONFIDENTIAL: THIS DRAWING AND ITS CONTENTS ARE CONFIDENTIAL AND THE EXCLUSIVE PROPERTY OF HUBBELL POWER SYSTEMS. NO PUBLICATION, DISTRIBUTION OR COPIES MAY BE MADE WITHOUT THE WRITTEN CONSENT OF HUBBELL POWER SYSTEMS. HUBBELL POWER SYSTEMS UNPUBLISHED ALL RIGHTS RESERVED UNDER THE COPYRIGHT LAWS.</p>				<p><b>HUBBELL POWER SYSTEMS</b></p>	
		<p>TITLE TORQUE EXTENSION STICK</p>			
SIZE	DWG NO.	CAT / PART / ASSY NO.		REV	
B	SA403-3009	T403-3009		--	
DO NOT SCALE THIS DRAWING		DRN BY RAM	DATE 7/3/14	SHEET 1 OF 1	